












20 Nm

Medium Duty Window Wiper

Ideal for low speed vessels with small windows

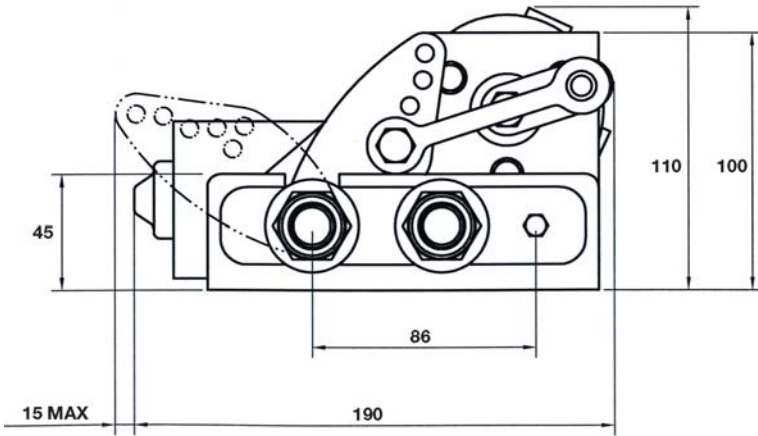
-  A compact unit
-  Pantograph and pendulum
-  Arms with blades up to 24ins. (610mm) are available
-  Fixed arc or variable arc models
-  12 and 24 volt DC
-  Two speeds
-  Self parking facility
-  Insulated earth return and EMC filter are standard
-  Operated by various controls including a rotary switch, toggle switch, rocker switch or a multi-speed / function control system





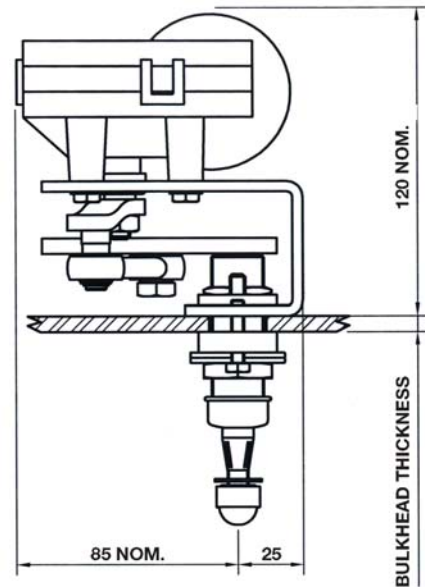
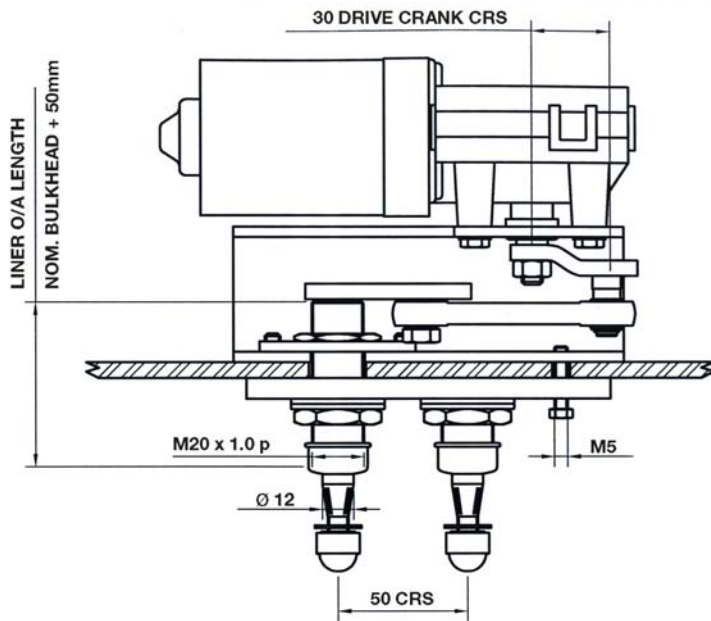
20 Nm Medium Duty Window Wiper

Ideal for low speed vessels with small windows



Specifications

Standard Details	2 Speed; Self Parking; Insulated Earth Return; 12v and 24v
Angles of Arc	Variable - at stated angles
Pantograph Units	40°, 50°, 60°, 70°, 80°, 90°
Pendulum Units	40°, 50°, 60°, 70°, 80°, 90°
Spindle Centres	Between Drive Liner & Idler = 50mm
Drive Liner	M20 - Brass Liner/12mm SS Spindle
Liner Overall Length	Bulkhead Thickness + 65mm
Idler Liner	M20 - Brass Liner/12mm SS Spindle
Bracket	No notation used for Bracket
Unit Weight	Allowing for the maximum arm and blade lengths; 3.5Kgs (7.7 lbs)



Wiper Arms and Blades

■ Pantograph Arms

P613 Medium Duty
Lengths 12" to 24" (310mm to 610mm) nom
Drive Head 12mm
Blade Clip 14mm

■ Pendulum Arms

F63 Medium Duty
Lengths 12" to 28" (310mm to 710mm) nom
Drive Head 12mm
Blade Clip 14mm

■ Blades

B140 Curved Blade
Lengths 12" to 24" (310mm to 610mm) nom
For use with arm types:
Pendulum F63
Pantograph P614



B. HEPWORTH
AND COMPANY LIMITED

2-4 Merse Road, North Moons Moat, Redditch, Worcestershire B98 9HL
T +44 (0) 1527 61243 F +44 (0) 1527 66836 E bhepworth@b-hepworth.com

www.b-hepworth.com

