

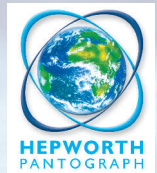


HEPWORTH MARINE
INTERNATIONAL

TYPE 1850 External Pantograph Wiper

IDEAL FOR HEAVY DUTY USAGE IN MEDIUM SIZED APPLICATIONS

- Totally enclosed drive unit for safety, reliability and longevity
- Quick and easy installation - reducing costs
- 2 speed operation with self parking
- Intermittent wipe available dependant upon selected controller
- De-icing heaters in arms an option for cold weather operation
- Spray nozzles available in arms for efficient flow of fresh water
- Inward facing drive as standard; outward facing drive an option



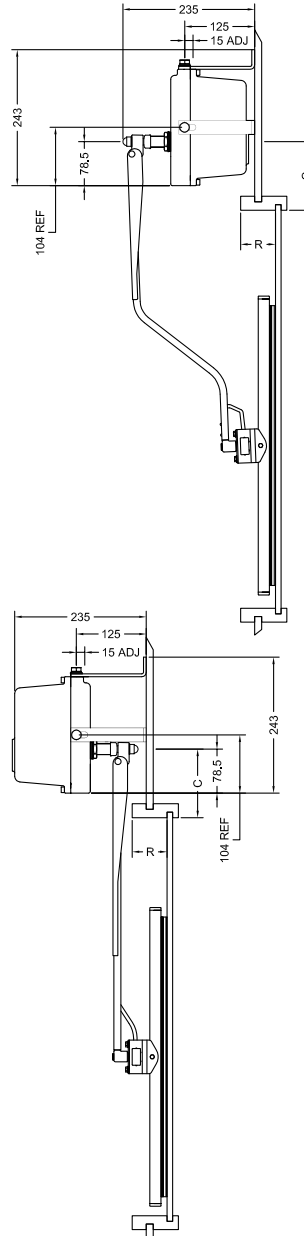
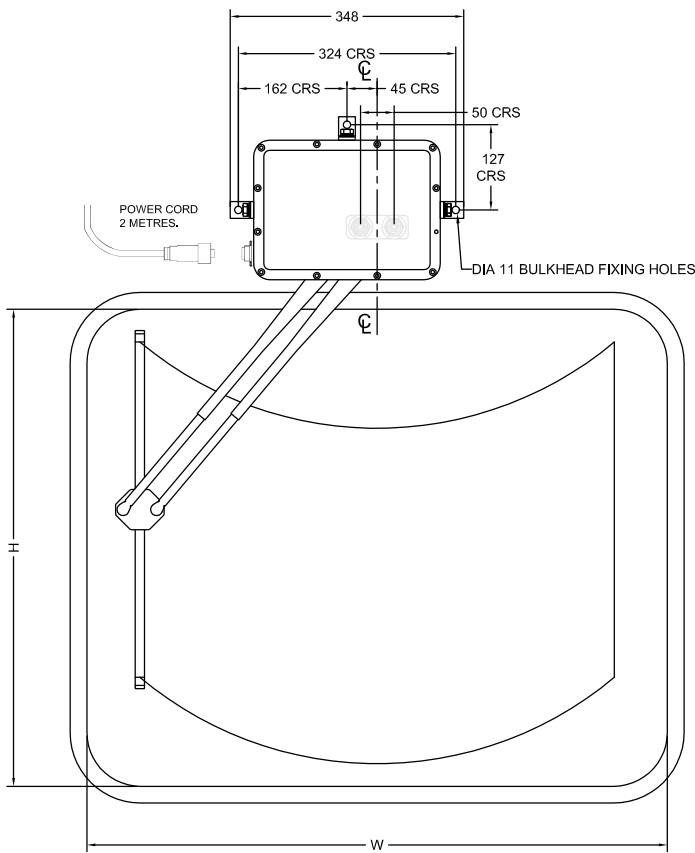
... WIPER SYSTEMS FOR ALL SIZES OF VESSEL





SPECIFICATIONS

Pantograph wipe arc	Fixed arc
Blade lengths	300 to 800mm in 50mm increments
Arm lengths	300 to 850mm in 50mm increments
Wipe speeds - fast/slow	50 wipes per minute / 35 wipes per minute with intermittent and parking
Voltages / Currents	12V : 3.0 amps, 24V : 1.8 amps
Spray nozzles	Travelling spray nozzles can be incorporated onto the arms (optional)
De-icing heater	Incorporated into the drive arm, is 100 watts per metre (optional)
Blades	Rigid fitted for flat glass as standard. Articulated fitted for curved glass
Control options	P/N: 0800-05 2 speed & park, Toggle switch P/N: 0800-02 2 speed, intermittent, park & spray, Rotary switch Series 3000 Control systems, 2 speed, intermittent, park with group operation Series 6200 Series 8224



*Measurements are for illustrative purposes only



Type 1850
External
Pantograph Wipers

IDEAL FOR HEAVY DUTY
USAGE IN MEDIUM
SIZED APPLICATIONS



B Hepworth & Co Ltd

4 Merse Road,
North Moons Moat, Redditch
Worcestershire B98 9HL UK

T +44 (0)1527 61243
F +44 (0)1527 66836
E marine@b-hepworth.com