

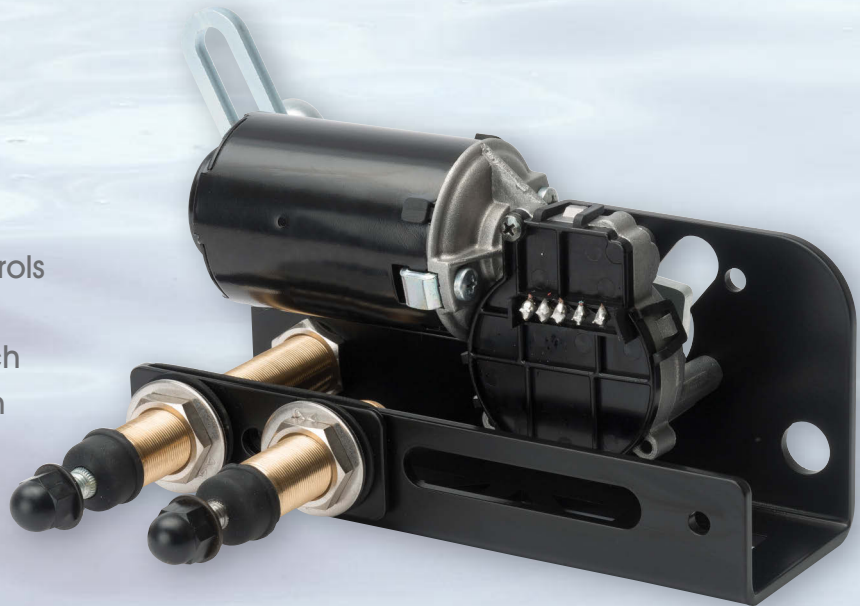
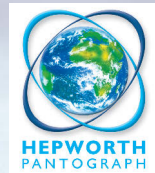


HEPworth MARINE
INTERNATIONAL

30Nm Medium Duty Window Wiper

FOR AVERAGE SPEED VESSELS WITH MEDIUM SIZED WINDOWS

- A compact and robust unit
- Pantograph and pendulum
- Silent running
- Arms with blades up to 28ins. (710mm) are available
- Fixed arc or variable arc models
- 12 and 24 volt DC
- Two speeds
- Self parking facility
- Insulated earth return
- Operated by various controls including a rotary switch, toggle switch, rocker switch or a multi-speed / function control system



...WIPER SYSTEMS FOR ALL SIZES OF VESSEL





SPECIFICATIONS

Standard Details	2 Speed; Self Parking; Insulated Earth Return; 12v and 24v
Angles of Arc - Fixed:	
Pantograph Units	25° to 90° (in 5° increments only)
Pendulum Units	25° to 115° (in 5° increments only)
Angles of Arc - Variable:	
Pantograph Units	35°, 40°, 45°, 50°, 55°, 60°, 70°, 80°, 90°
Pendulum Units	35°, 40°, 45°, 50°, 55°, 60°, 70°, 80°, 90°, 100°, 110°, 120°
Spindle Centres	Between Drive Liner & Idler = 50mm Pantograph Units only
Drive Liner	M20 - Brass Liner/12mm SS Spindle Pantograph & Pendulum Units
Idler Liner	M20 - Brass Liner/12mm SS Spindle Pantograph Units only
Liner Overall Length	Bulkhead Thickness + 120mm Liners over 125mm are available at extra cost
Bracket	C - Compact Bracket
Unit Weight	Allowing for the maximum arm and blade lengths; 4Kgs (8.8 lbs)

WIPER ARMS & BLADES

■ Pantograph Arms

P613	Medium Duty
Lengths	12" to 28" (310mm to 710mm) nom
Drive Head	12mm
Blade Clip	14mm

■ Pendulum Arms

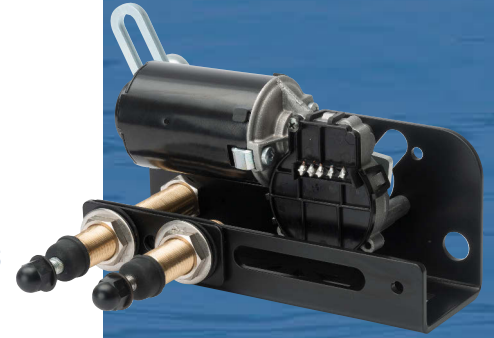
F63	Medium Duty
Lengths	12" to 28" (310mm to 710mm) nom
Drive Head	12mm
Blade Clip	14mm

■ Blades

B160	Curved Blade, Stainless Steel
Lengths	12" to 24" (310mm to 610mm) nom

For use with arm types:

Pendulum	F63
Pantograph	P614



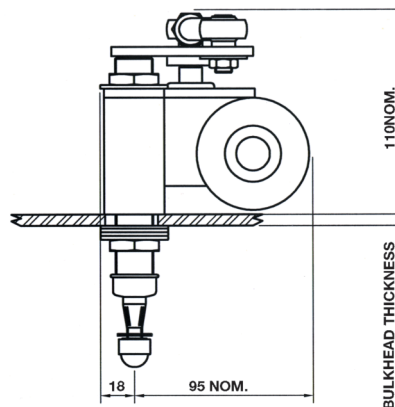
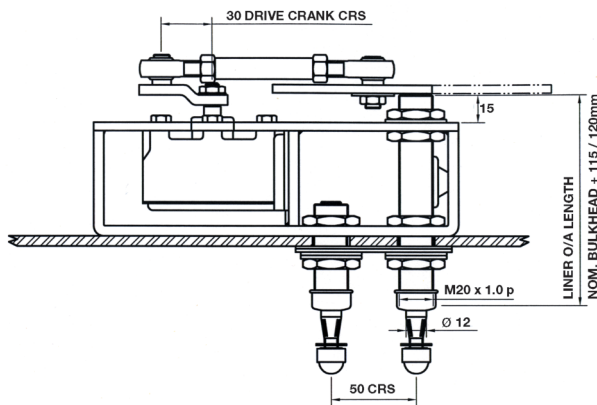
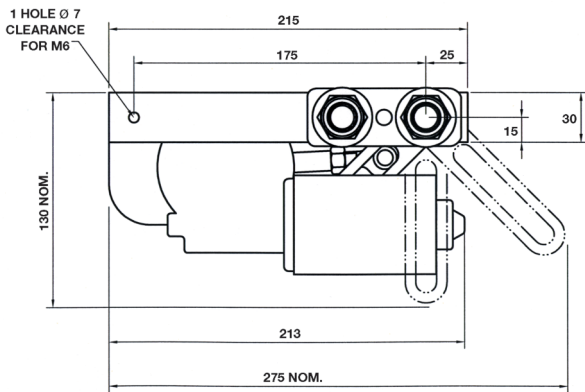
30Nm

Medium Duty Window Wiper

IDEAL FOR
AVERAGE SPEED VESSELS
WITH MEDIUM SIZED
WINDOWS

Can be used in
combination with the
following Controllers:

- Carling Switch
- Cole Hersee Switch
- Wynn 8224 Bus Control
- Pine Controller
- Toggle Switch



*Measurements are for illustrative purposes only



B Hepworth & Co Ltd

4 Merse Road,
North Moons Moat, Redditch
Worcestershire B98 9HL UK

T +44 (0)1527 61243

F +44 (0)1527 66836

E marine@b-hepworth.com